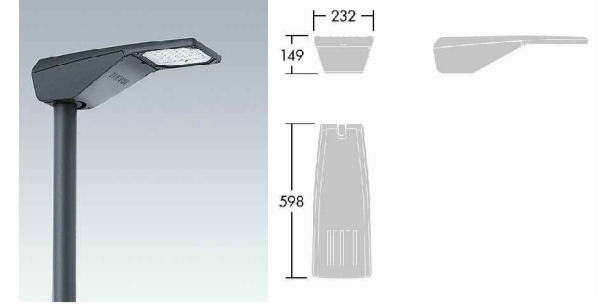


REF: 'X4' LUMINAIRES

IP66, IK09, 15W, 2053LM, 4000K
ROOT MOUNTED MAST LED
LUMINAIRE MOUNTED @ 5m
ON LIGHTING COLUMN.

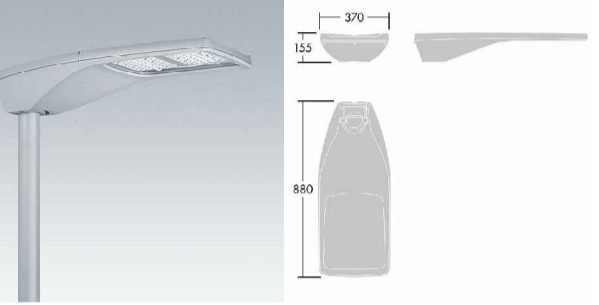


DIMS: 598 (L) x 232 (W) x 149mm(H)

AS PER LUMINAIRE SCHEDULE

REF: 'X5' LUMINAIRES

IP66, IK08, 75W, 10519LM,
4000K ROOT MOUNTED MAST LED
LUMINAIRE MOUNTED @
10m ON LIGHTING COLUMN.



DIMS: 665 (L) x 362 (W) x 155mm(H)

AS PER LUMINAIRE SCHEDULE

REF: 'X6' LUMINAIRES

30W, LED, 4000K, IP66, IK09
LED LUMINAIRE MOUNTED
@ 3m ON LIGHTING
COLUMN.

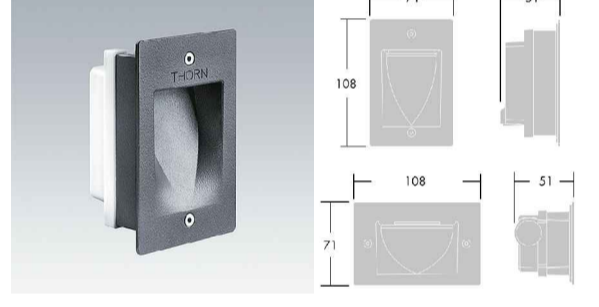


DIMS: Ø520mm x 377mm(H)

AS PER LUMINAIRE SCHEDULE

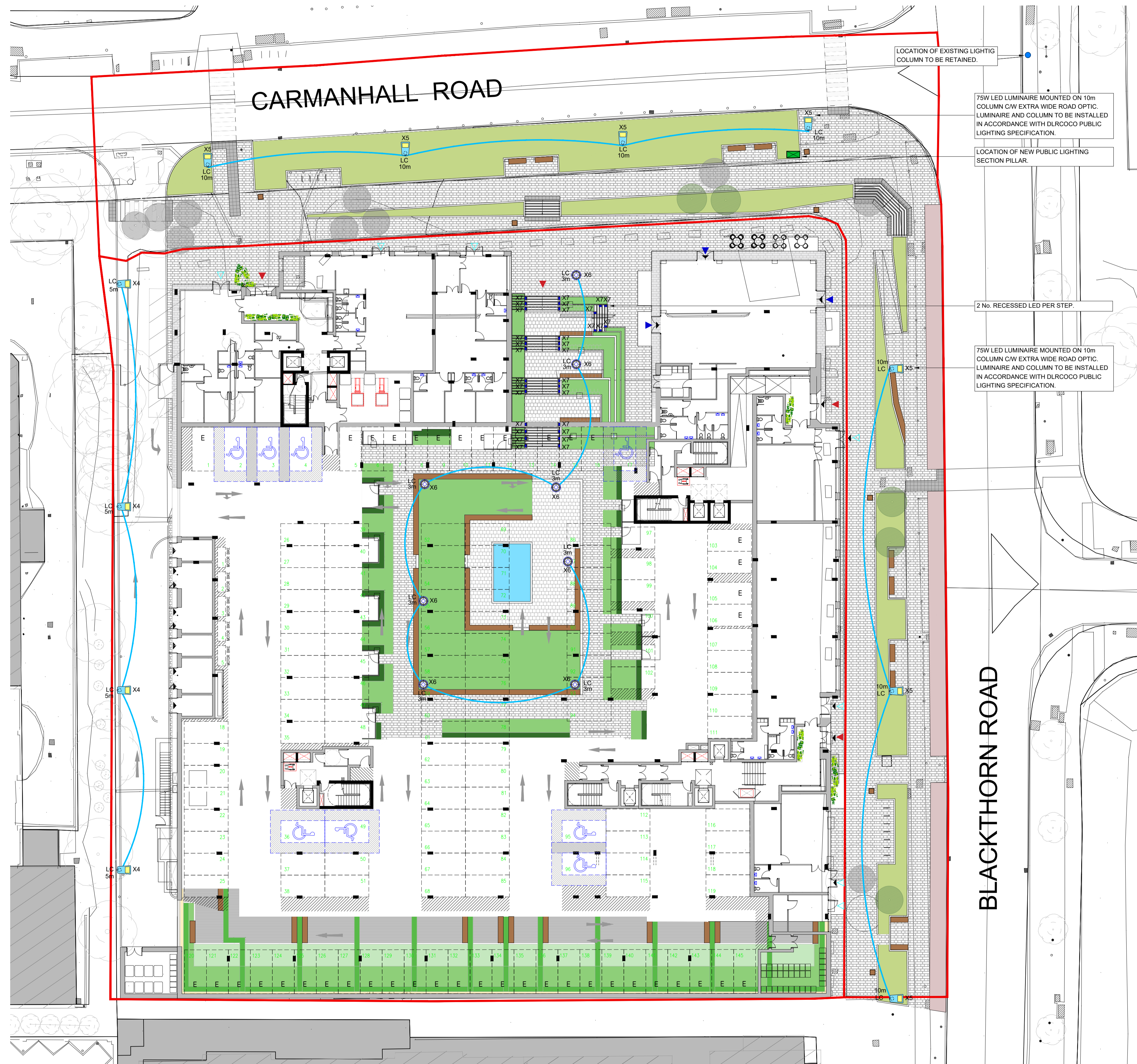
REF: 'X7' LUMINAIRES

4W WALL RECESSED LUMINAIRE
FOR USE ON EXTERNAL
STEPS, C/W WITH IP 65 RATING
AND ELV LED DRIVER FOR
ENHANCED SAFETY IN THE
EVENT OF TAMPERING.

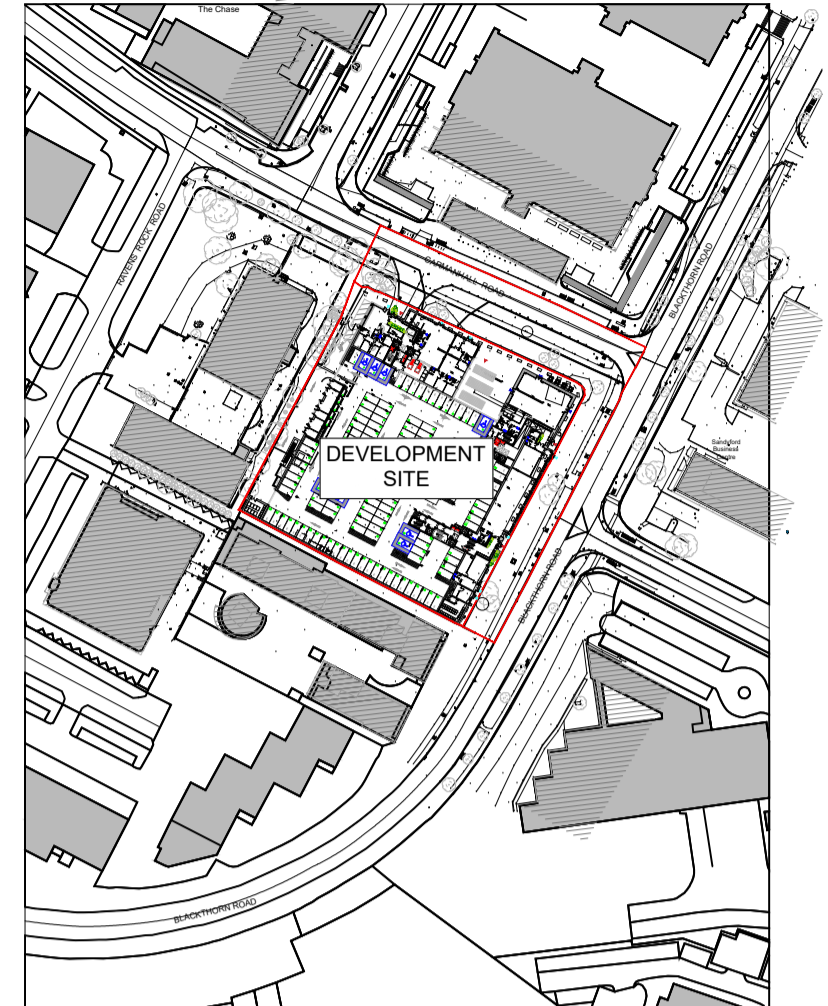


DIMS: 71 (L) x 108 (W) x 51mm(H)

AS PER LUMINAIRE SCHEDULE



CARMANHALL ROAD DEVELOPMENT KEYPLAN



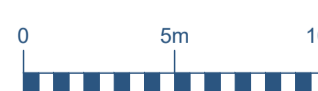
SITE LIGHTING NOTES

- 1.00 ALL CABLEING TO EXTERNAL LIGHTING TO BE 6mm² CU/XLPE/SWA/PVC CONTAINED WITHIN PVC DUCTS.
- 2.00 ALL IN-GROUND PVC DUCTS TO BE INSTALLED BY THE MAIN CONTRACTOR UNDER THE CO-ORDINATION OF THE ELECTRICAL CONTRACTOR.
- 3.00 THE ELECTRICAL CONTRACTOR SHALL REFER TO IN2 ENGINEERING DRAWING No. D1723-IN2-00-ZZ-DR-ME-0101 FOR ROUTING OF IN-GROUND DUCTS.
- 4.00 THE ELECTRICAL CONTRACTOR SHALL, PRIOR TO THE INSTALLATION, VERIFY THE CAPACITY OF THE IN-GROUND DUCT NETWORK TO THE MAIN CONTRACTOR.

SITE LIGHTING REFERENCE KEY

- LIGHTING CIRCUIT
- X4 [Symbol] ROOT MOUNTED MAST 15W LED LUMINAIRE ON 5m COLUMN
- X5 [Symbol] ROOT MOUNTED MAST 75W LED LUMINAIRE ON 10m COLUMN
- X6 [Symbol] 30W LANTERN LUMINAIRE MOUNTED ON 3m COLUMN
- X7 [Symbol] LED LUMINAIRE TO BE RECESSED ABOVE STEP IN WALL
- LC [Symbol] LIGHTING COLUMN
- MP [Symbol] NEW PUBLIC LIGHTING SECTION PILLAR

NOTE:
INTENDED WORKS SUBJECT TO CONSENT OF
DÚN LAOGHAIRE-RATHDOWN COUNTY COUNCIL.



STATUS	DATE	DESCRIPTION	DRN	ENG	APP	REV
S2	23.06.2020	PLANNING STAGE ISSUE	JZ	LH	TJ	P01